



### KEY FEATURES

- Professional High Bay with extended long life and extreme heat dissipation up to 65°C environments
- Luminaires are suitable for 3 to 14 meters high
- Long life of 100,000 hours
- Plug & Play installation 3-pole IP68 screwless connector
- Up to 140 lumens per watt
- Standard 1-10V Dimmable
- Excellent luminaire for heavy dust area
- 7 years Pragmalux warranty

### DETAILS



Driver



Prisma

### OPTIONS



3000K 6500K



### ACCESSORIES



Reflector Alu  
4605180



Prisma reflector  
4605173



Microwave sensor  
4605159



Remote control  
4605166



IP68 connector  
included

IP65 IK10 650° GWT 140LM/W

**7** PRAGMALUX  
YEAR  
WARRANTY

**10** PRAGMALUX  
YEAR  
WARRANTY  
EXTENDED-PRO

### SPECIFICATIONS

ITEM CODE	DESCRIPTION	W	LM	LM/W	KELVIN	CRI	INPUT CURRENT	LIFETIME L80	EQUIVALENT	BEAM ANGLE
4605128	LED Highbay Horizon 100W 4000K 90° 1-10V Dim Black	100	14000	140	4000	≥80	0.46	100000	200W	90°
4605135	LED Highbay Horizon 150W 4000K 90° 1-10V Dim Black	150	21000	140	4000	≥80	0.69	100000	250W	90°
4605142	LED Highbay Horizon 200W 4000K 90° 1-10V Dim Black	200	28000	140	4000	≥80	0.91	100000	400W	90°

### TECHNICAL DATA

ELECTRICAL DATA	
Voltage (V)	220-240
Frequency (Hz)	50/60
Power factor (λ)	≥0.95
Operating mode	Integrated LED Driver
Electrical connection	Max 3x1,0 mm² wire
Total harmonic distortion	≤ 15 %

### TEMPERATURES & OPERATING CONDITIONS

Ambient temperature	25°C
Operating temperature	-40 ~ +65°C
Storage temperature	-40 ~ +85°C

### COLORS & MATERIALS

Color ( Housing)	Black RAL9017
Material ( Housing)	Aluminum
Material ( Reflector)	PC

ITEM CODE	DESCRIPTION	DRIVER FAILURE RATE AT 5,000H	INRUSH CURRENT IPEAK (A)	INRUSH CURRENT TWIDTH (µS)	MAX. NO. OF DRIVERS ON MCB TYPE B 10A	MAX. NO. OF DRIVERS ON MCB TYPE B 16A	MAX. NO. OF DRIVERS ON MCB TYPE C 10A	MAX. NO. OF DRIVERS ON MCB TYPE C 16A
4605128	LED Highbay Horizon 100W 4000K 90° 1-10V Dim Black	≤1%	43.2	460	3	6	6	10
4605135	LED Highbay Horizon 150W 4000K 90° 1-10V Dim Black	≤1%	43.2	500	3	6	6	10
4605142	LED Highbay Horizon 200W 4000K 90° 1-10V Dim Black	≤1%	47.6	500	3	6	6	10

### CERTIFICATES & STANDARDS

Driver certificates	CE / ENEC
Fixture certificates	CE
Ingress protection	IP65
Protection class	I
Protection class IK	10
Glow Wire Test ( IEC 695-2-1)	650°C
Photobiological safety group EN62778	RG1
IEC	EN IEC 62722-2-1
LM80 (TM21 /) L90B50 (hours)	>50,000

### CAPABILITIES

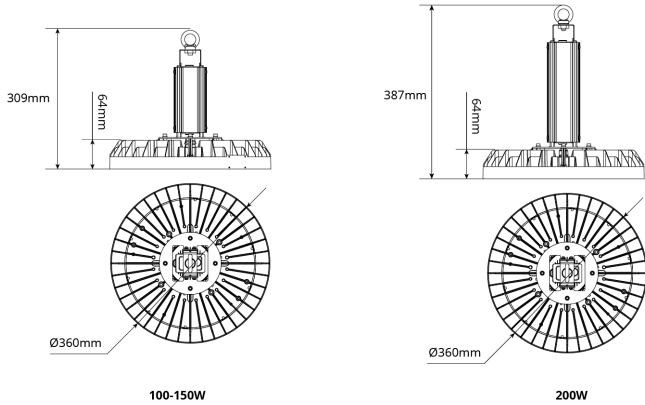
UGR	≤25-30
Dimmable	1-10V
Type of connection	Push Terminal, 3-pole
LED Module replacable	No
Installation	Hook

### PRAGMALUX

All rights reserved. Pragmalux - PDL Lighting Group B.V. retains the right to modify product specifications without any prior notice or obligation and does not assume any liability for any consequences of using this document. Subject to errors and printing errors. Luminous flux tolerance: +/- 10%. Power consumption tolerance: +/- 10%.

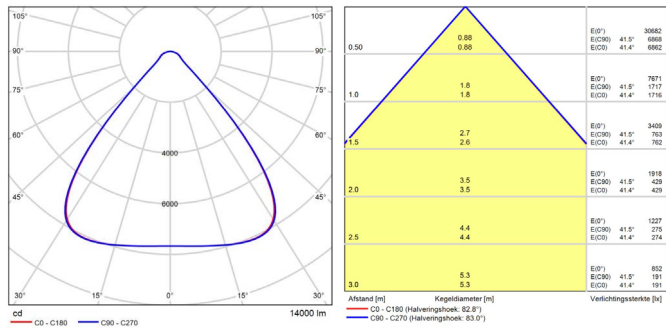
Version: February 2021

## DIMENSIONS

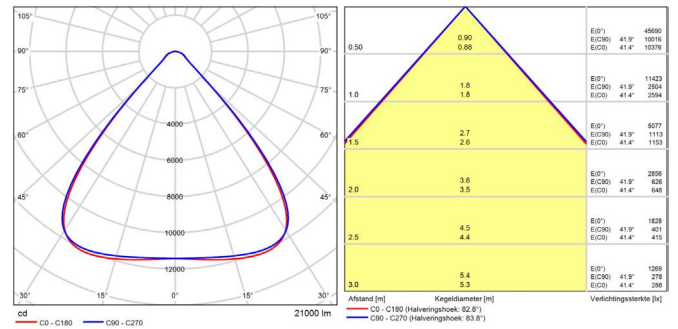


## PHOTOMETRIC SPECIFICATIONS

### LED HIGHBAY HORIZON 100W 4000K 90° 1-10V DIM BLACK



### LED HIGHBAY HORIZON 150W 4000K 90° 1-10V DIM BLACK



### LED HIGHBAY HORIZON 200W 4000K 90° 1-10V DIM BLACK

